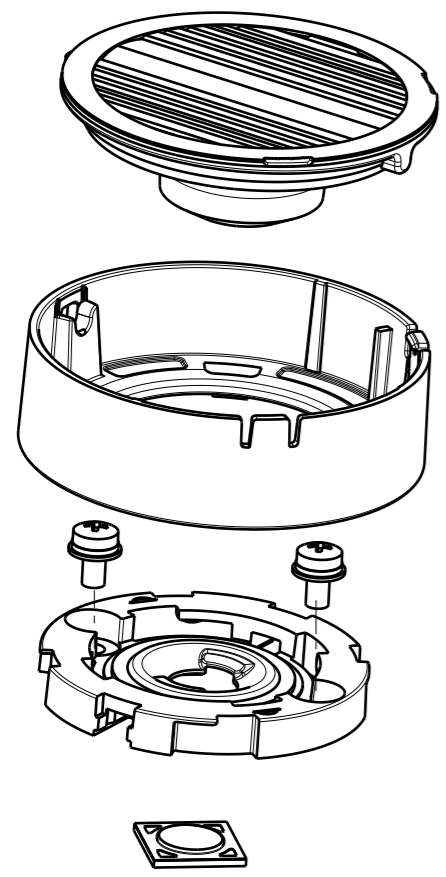


OPTIC/HOLDER ASSEMBLY

1. Place pin on the side of the lens into relative hole on the holder.
2. Press the lens under clips on the holder, ensuring both clips are fixed.



Ronda optics

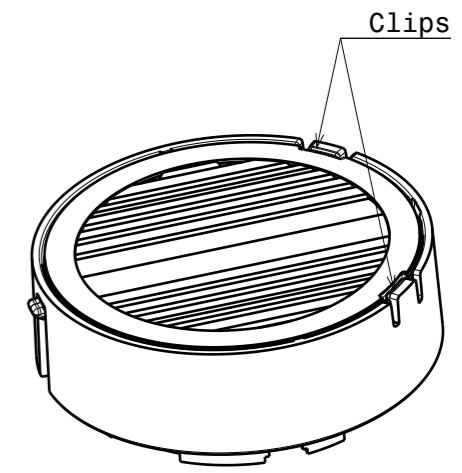
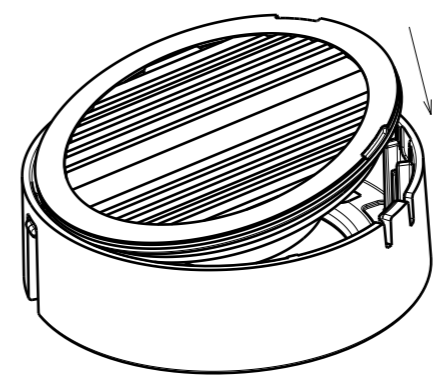
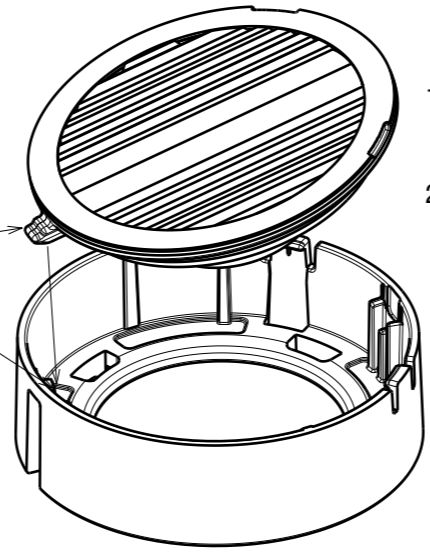
F15635_RONDA-HLD-C

M3 screw+washer

Hekla socket, see compatibility www.ledil.com

Led, see compatibility www.ledil.com

Pin
Holder hole

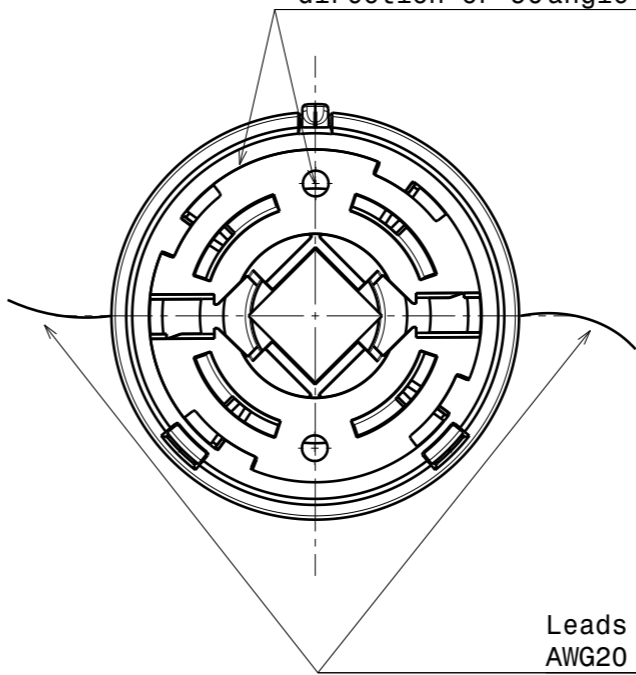
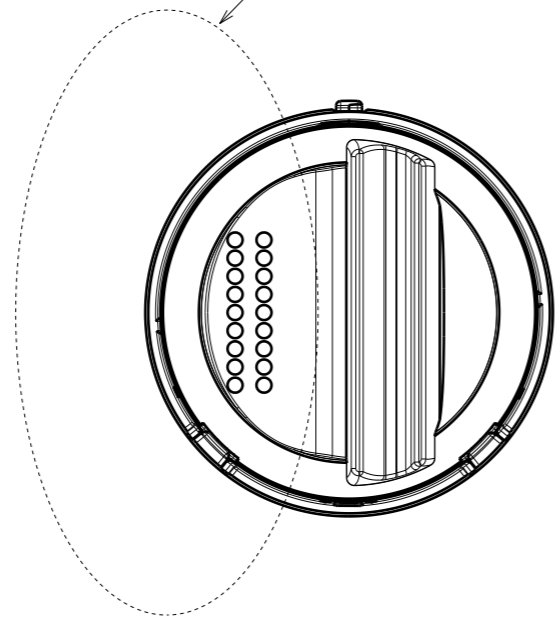
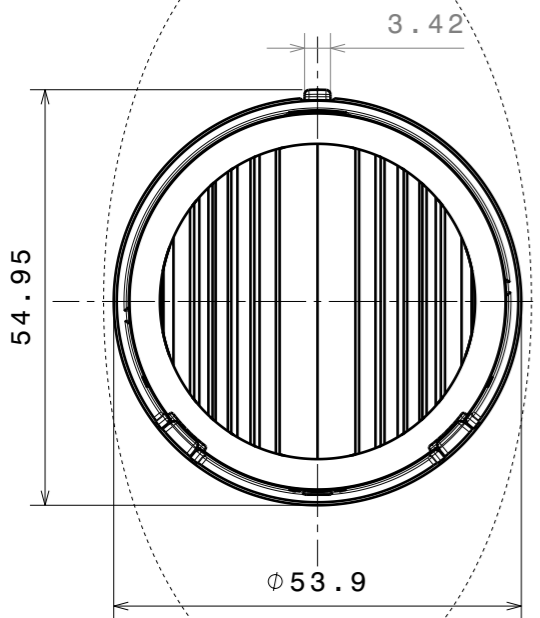


Clips

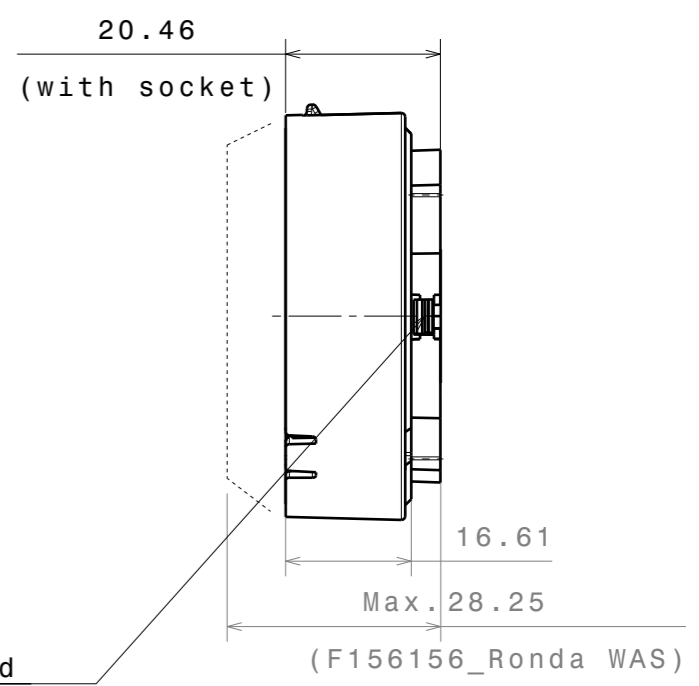
Holder C can be turned 90°
->fixing screw can be at beam direction or 90°angle to it

Oval beam direction

WAS beam direction



Leads out
AWG20 recommended



Tolerances if not otherwise shown
According to DIN ISO 2768-1
Linear measures:
Up to 30mm class M, otherwise class C.
According to DIN ISO 2768-2
Form and position: class L

	Ledil Oy Salorankatu 10 FIN 24240 SALO Finland		
	DRAWING TITLE <h3>RONDA-C_Datasheet</h3>		
SIZE A3	PART NUMBER		
SCALE 1:1	WEIGHT	SHEET 1/1	

This drawing is the property of LEDiL Oy. It may not be reproduced, copied or communicated without a written agreement with LEDiL Oy.